

Inlet with filter, IP65, front or rear mounting, fuseholder 5x20 mm, protection class I or II

Medical fuse drawer



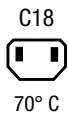
new



Screw-On Version



Screw-On Version



Description

- Panel Mount:
Screw-on version from front or rear side, Screws with sealing are included
- 4 Functions:
Inlet protection class I or II, Line filter in standard and medical version, Fuseholder for fuse-links 5 x 20 mm, IP 65 protection
- Quick connect terminals 6.3 x 0.8 mm

Approvals

- VDE License Number: 40016382
- UL License Number: E72928

Characteristics

- Extreme robust design
- All single elements are already wired
- Screw type fuse carrier, slotted
Fuse drawer meets requirements of medical standard IEC/EN 60601-1
The fuse drawer can only be opened with the aid of a tool
The fuseholder is accessible from the equipment front
- With EMC-shield
- Especially for applications in rough environments
- Qualified for use in equipment according IEC/EN 60950

Other versions on request

- With solder terminals
- Class X1- and Y1-capacitors for enhanced withstand voltage
- Medical version M80
- Version with current rating 3 A

References

General Product Information

Weblinks

Approvals, RoHS, CHINA-RoHS, e-Store, SCHURTER-Stock-Check, Distributor-Stock-Check

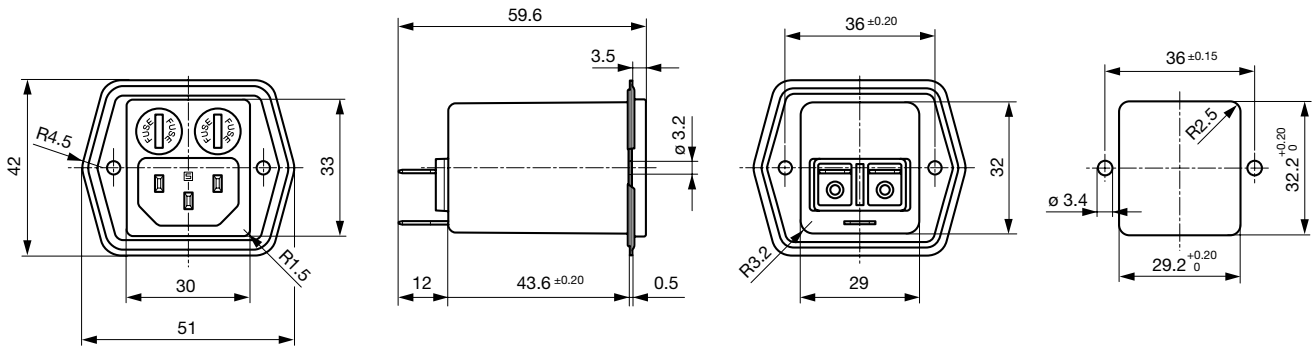
Technical Data

Ratings IEC	1 - 8A @ Ta 40 °C / 250VAC; 50Hz	Appliance-Inlet/-Outlet	C14/C18 acc. to IEC/EN 60320-1 UL 498, CSA C22.2 no. 42 (for cold conditions) pin-temperature 70 °C, 8A, Protection class I or II
Ratings UL/CSA	1 - 8A @ Ta 40 °C / 125VAC; 60Hz	Fuseholder	1 or 2 pole, Shocksafe category PC2 acc. to IEC 60127-6, for fuse-links 5 x 20mm
Leakage Current	standard < 0.5 mA (250 V / 60Hz) medical < 5 µA (250 V / 60 Hz)	Rated Power Acceptance @ Ta 23 °C	5 x 20: 1.6W 1 pole/ 1,2W 2-pole per pole
Dielectric Strength	> 1.7 kVDC between L-N > 2.7 kVDC between L/N-PE Test voltage (2 sec)	Power Acceptance @ Ta > 23°C	Admissible power acceptance at higher ambient temperature see derating curves
Allowable Operation Temp.	-25°C to 85°C	Line Filter	Standard and Medical Version, IEC 60939, IEC 60601-1, UL 1283, UL 544, EN 133 200, CSA C22.2 no. 8 Technical details
Climatic Category	25/085/21 acc. to IEC 60068-1	MTBF	> 2'800'000h acc. to MIL-HB-217 F
Degree of Protection	from front side IP 65 acc. to IEC 60529 from rear-side IP 65 acc. to IEC 60529		
Protection Class	Suitable for appliances with protection class I or II acc. to IEC 61140		
Terminal	Quick connect terminals 6.3 x 0.8 mm		
Panel Thickness s	Screw-on, max 3mm Mounting screw torque max 0.8Nm 2 screws M3 with sealing are provided		
Material: Housing	black / metallic, UL 94V-0		

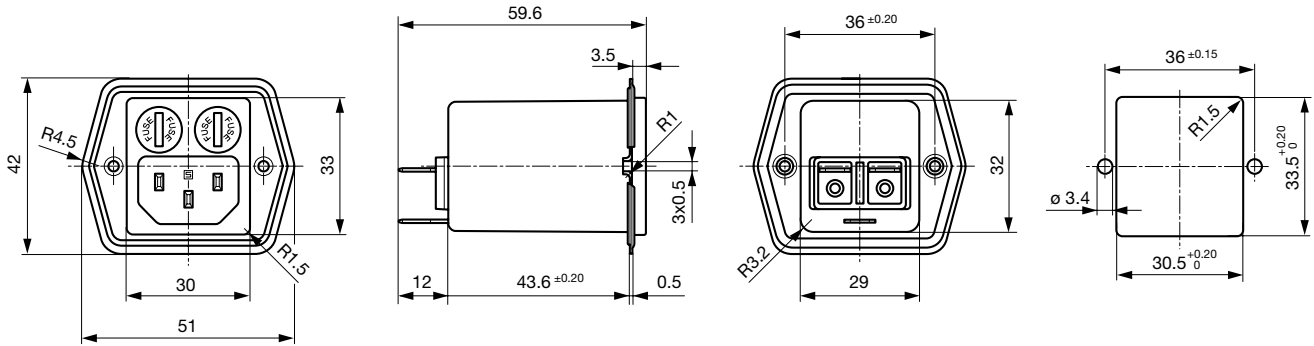
Dimensions

Mounting from front side

Length |-----| 60 mm



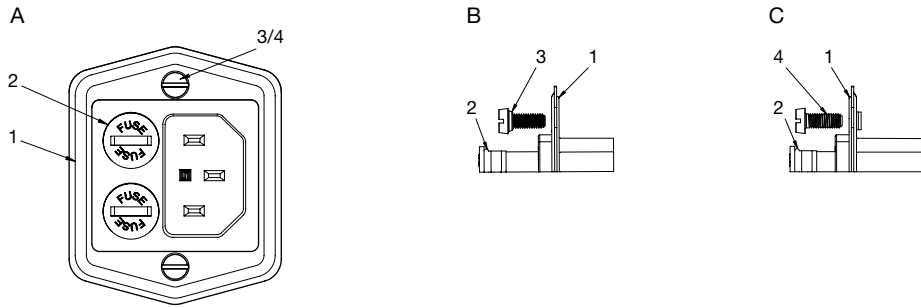
Mounting from rear side



Technical Data of Filter-Components

Rated Current [A]	Filter-Type	Inductances L [mH]	Capacitance CX [nF]	Capacitance CY [nF]	R [MΩ]
1	Standard Version	2 x 12	100	2.2	1
2	Standard Version	2 x 5.2	100	2.2	1
4	Standard Version	2 x 2	100	2.2	1
6	Standard Version	2 x 0.8	100	2.2	1
8	Standard Version	2 x 0.4	100	2.2	1
1	Medical Version (M5)	2 x 12	100	-	1
2	Medical Version (M5)	2 x 5.2	100	-	1
4	Medical Version (M5)	2 x 2	100	-	1
6	Medical Version (M5)	2 x 0.8	100	-	1
8	Medical Version (M5)	2 x 0.4	100	-	1

Mounting instructions



- A) front view
- B) detail front mounting type
- C) detail rear mounting type
- 1) sealing of flange
- 2) sealing of fuseholder
- 3) sealing of screw hole (front mounting type: sealing ring on screw head)
- 4) sealing of screw hole (rear mounting type: sealing on screw thread)

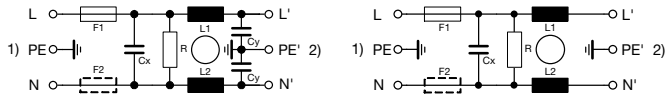
Important:

- use supplied fuse caps (2) and mounting screws (3/4)
- optimal sealing requires even and solid panel opening
- recommended tightening torque for mounting screws (2/3/4): 0.5-0.8 Nm
- IP65 protection between the inlet and connector pins, but no IP rating between the connector pins and the plug of the power cord!

Diagrams

Standard version

Medical version (M5)

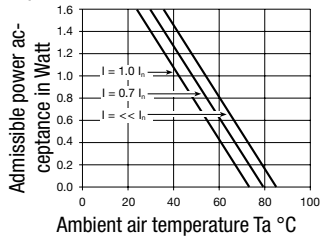


- 1) Line
- 2) Load

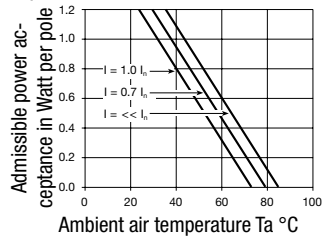
- 1) Line
- 2) Load

Derating Curves for Fuseholders

1-pole



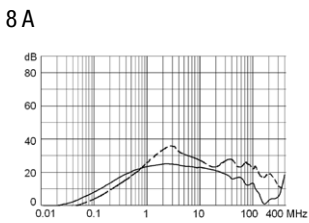
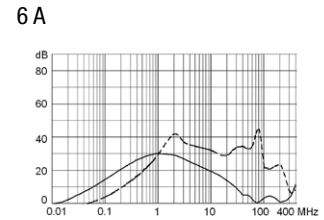
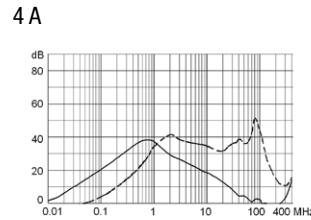
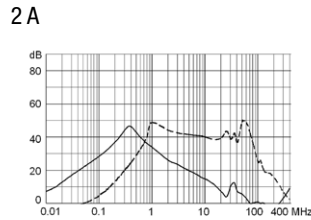
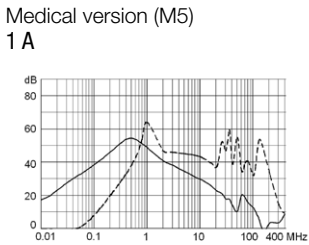
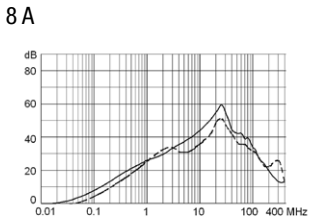
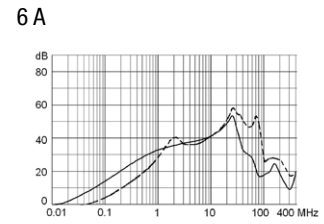
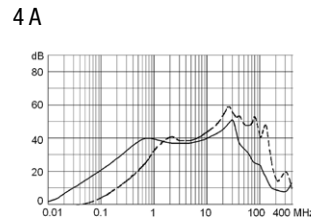
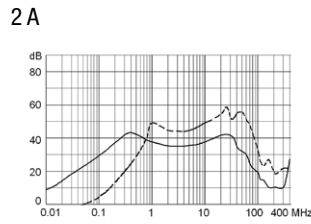
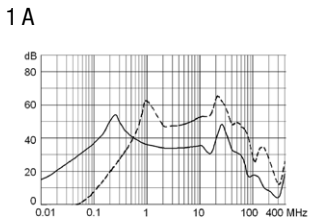
2-pole



Attenuation Loss

Standard version

--- differential mode — common mode



Variants

[Distributor-Stock-Check](#) | [SCHURTER-Stock-Check](#) | [e-Store](#)

Rated Current [A]	Filter-Type	Screw-on or rivet mounting version from front side	Screw-on version from rear with pre-formed, threaded holes for M3 screws	Protection Class	Fuseholder	Order Number
1	Standard Version	●		I	1 pole	5707.0101.112
2	Standard Version	●		I	1 pole	5707.0201.112
4	Standard Version	●		I	1 pole	5707.0401.112
6	Standard Version	●		I	1 pole	5707.0601.112
8	Standard Version	●		I	1 pole	5707.0801.112
1	Standard Version		●	I	1 pole	5707.0101.113
2	Standard Version		●	I	1 pole	5707.0201.113
4	Standard Version		●	I	1 pole	5707.0401.113
6	Standard Version		●	I	1 pole	5707.0601.113
8	Standard Version		●	I	1 pole	5707.0801.113
1	Standard Version	●		I	2-pole	57070101.312
2	Standard Version	●		I	2-pole	5707.0201.312
4	Standard Version	●		I	2-pole	5707.0401.312
6	Standard Version	●		I	2-pole	5707.0601.312
8	Standard Version	●		I	2-pole	5707.0801.312
1	Standard Version		●	I	2-pole	5707.0101.313

Rated Current [A]	Filter-Type	Screw-on or rivet mounting version from front side	Screw-on version from rear with pre-formed, threaded holes for M3 screws	Protection Class	Fuseholder	Order Number
2	Standard Version		●	I	2-pole	5707.0201.313
4	Standard Version		●	I	2-pole	5707.0401.313
6	Standard Version		●	I	2-pole	5707.0601.313
8	Standard Version		●	I	2-pole	5707.0801.313
1	Medical Version (M5)	●		I	2-pole	5707.0103.312
2	Medical Version (M5)	●		I	2-pole	5707.0203.312
4	Medical Version (M5)	●		I	2-pole	5707.0403.312
6	Medical Version (M5)	●		I	2-pole	5707.0603.312
8	Medical Version (M5)	●		I	2-pole	5707.0803.312
1	Medical Version (M5)		●	I	2-pole	5707.0103.313
2	Medical Version (M5)		●	I	2-pole	5707.0203.313
4	Medical Version (M5)		●	I	2-pole	5707.0403.313
6	Medical Version (M5)		●	I	2-pole	5707.0603.313
8	Medical Version (M5)		●	I	2-pole	5707.0803.313
1	Medical Version (M5)	●		II	2-pole	5707.0103.412
2	Medical Version (M5)	●		II	2-pole	5707.0203.412
4	Medical Version (M5)	●		II	2-pole	5707.0403.412
6	Medical Version (M5)	●		II	2-pole	5707.0603.412
8	Medical Version (M5)	●		II	2-pole	5707.0803.412
1	Medical Version (M5)		●	II	2-pole	5707.0103.413
2	Medical Version (M5)		●	II	2-pole	5707.0203.413
4	Medical Version (M5)		●	II	2-pole	5707.0403.413
6	Medical Version (M5)		●	II	2-pole	5707.0603.413
8	Medical Version (M5)		●	II	2-pole	5707.0803.413

Packaging unit 10 Pcs

Accessory

Description



Assorted Covers
Rear Cover

0859.0047